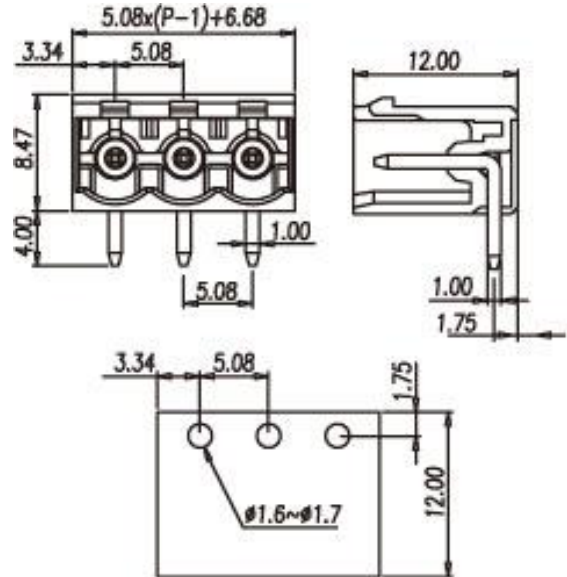





Headers(Sockets) for pluggable terminal blocks / ECH & EHD series



2EHDR



Pitch: 5.08mm

| | | |
|---|---|------|
| Approval |    | |
| Technical Data | UL | IEC |
| Rated voltage | 300V | 600V |
| Rated current | 15A | 18A |
| Conductor cross-section, solid (AWG/ mm ²) | | |
| Conductor cross-section, flexible (AWG/ mm ²) | | |
| Rated surge voltage (UL/IEC/Max.) | 1.6 / 4 / 4KV | |
| Torque (N-m) | | |
| Screw | | |
| Wire strip length | | |
| Pole | Cat. No. | |
| 02 | 2EHDR-02P | |
| : | : | |
| : | : | |
| 24 | 2EHDR-24P | |

TEL: +886-2-2908-0614

FAX: +886-2-2908-8549

E-mail: info@dinkle.com.tw