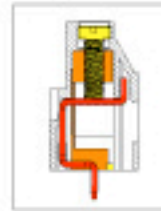


Pitch: 5.00mm(0.197inch)

- **Description:**
- Pitch : 5.00mm (0.197inch)

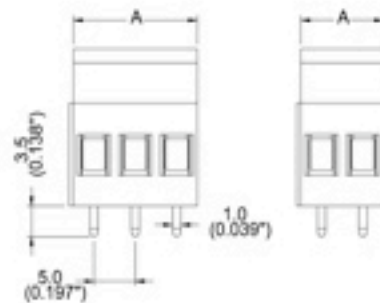
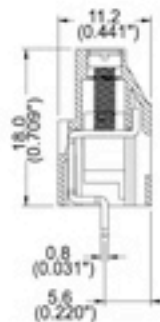


SPECIFICATIONS

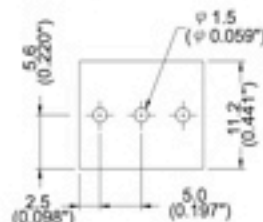
負載電壓	Rated Voltage	Bemessungsspannung	CUL AC 300V
負載電流	Rated Current	Bemessungsstrom	27A
電線線徑	Wire Size	Leitergrößen	24~12AWG
塑膠本體	Housing Material	Isolierstofftyp	Polyamide66(UL94V-0)
押線圈	Cage Clamp	Klemmkörper	Brass, Ni plated
端子	Terminal	Stiftmaterial	Brass, Tin plated
螺絲	Screw Size	Schraubengewinde	M2.6, steel, Zinc plated
操作溫度	Operating Temperature	Umgebungstemperatur	-40°C to + 105°C
扭力	Torque	Anzugsmoment	5.0 lb-inch
PC板孔徑	PCB Hole Diameter	Lochdurchmesser	φ 1.5mm
UL File No.	E167040		

TABLE

Item No.	A(mm)	A(inch)
MB422-500MA02	10.0	0.394
MB422-500MA03	15.0	0.591



PCB Layout



Note:
Screw Plating: Changes are available upon request