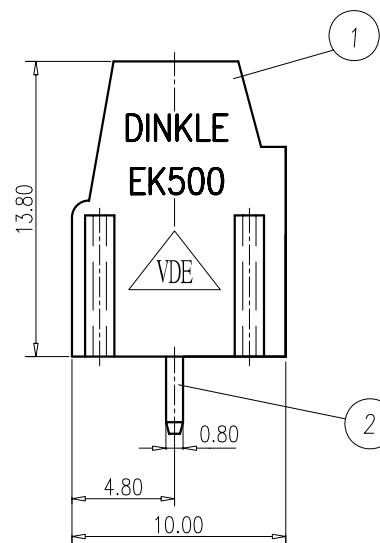
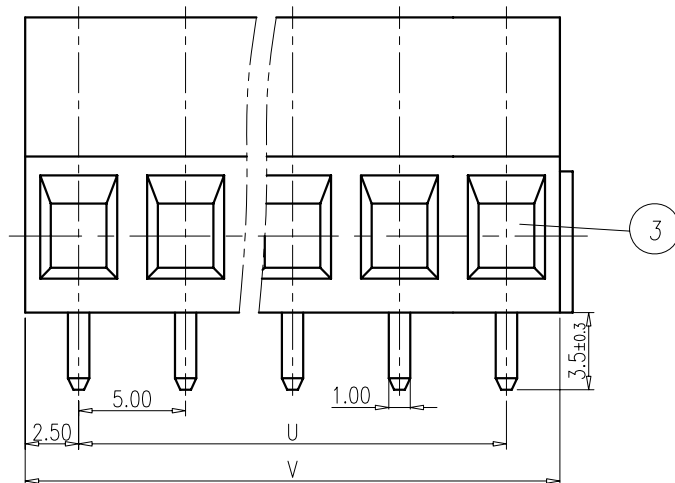
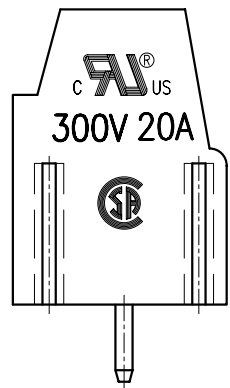


PCB LAYOUT



NOTES:

1. Rating: 300V 20A (IEC250V 24A)
PITCH: 5 mm
2. Insulation Withstands Voltage:
AC 2000V at 1 minute
3. Insulation Resistance:
500M Ω or more at DC500V
4. Using Temperature Range:
-40°C~+105°C
5. Suitable Electric Wire:
24~12AWG(IEC 0.5~2.5mm²)
6. Torque Value: 0.5 N·m
7. RoHS compliance

P	2	3	4	5	6	7	8	9	10	11	12	13
U	5.00	10.00	15.00	20.00	25.00	30.00	35.00	40.00	45.00	50.00	55.00	60.00
V	10.00	15.00	20.00	25.00	30.00	35.00	40.00	45.00	50.00	55.00	60.00	65.00
P	14	15	16	17	18	19	20	21	22	23	24	25
U	65.00	70.00	75.00	80.00	85.00	90.00	95.00	100.00	105.0	110.00	115.00	120.00
V	70.00	75.00	80.00	85.00	90.00	95.00	100.00	105.0	110.00	115.00	120.00	125.00

4	SCREW	STEEL	Zn Plated
3	WIRE CAGE	STEEL	Zn Plated
2	SOLDER POST	COPPER ALLOY	Tin Plated
1	HOUSING	PA66	UL94-V0 GREEN
ITEM	NAME OF PART	MATERIAL	NOTES

Normal Geometric Tolerancing				
—	//	≡	⊥	
0 to 100	0.2	0.3	0 to 10	0.2
over 100 to 150	0.3		over 10	0.3
Total Pitch Tolerances		Normal dimension Tolerances		
0<U<=30	±0.20	0~30	±0.25	
30<U<=53	±0.25	over 30~53	±0.30	
53<U<=70	±0.30	over 53~70	±0.35	
70<U<=90	±0.35	over 70~90	±0.44	
90<U<=115	±0.44	over 90~115	±0.55	
115<U<=150	±0.55	over 115~150	±0.70	

DWG.	HQY	DATE	13.10.09	UNITS	MM	SHEET/OF	1 / 1
CHK.		DATE		SCALE	4:1 (:)		
APP.		DATE		NAME	EK500V-XXP		
				DWG NO.	SP-03-EK500V00		

	REV.	CONTENT	CHK.	DATE
--	------	---------	------	------