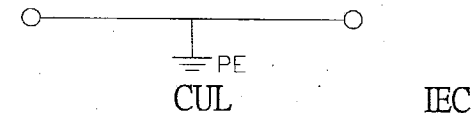
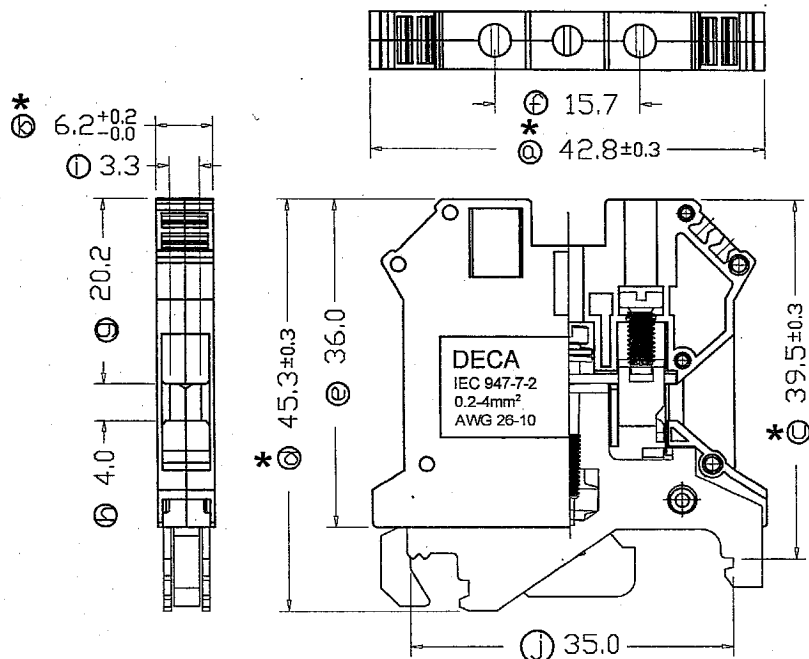


CPE4N-SZ

CE RoHS Compliant



Solid wire	26~10 AWG	0.2~4mm ²
Stranded wire	26~10 AWG	0.2~4mm ²
Torque	0.6~0.8Nm	5~7lb-in
Insulating withstand voltage	2500V AC, 1minute	
Screw	M3	
Wire strip length	8~10mm	
Mounting Rail	TS35x7.5/TS35x15/TS32	

CONFIRMED & ACCEPTED BY

	Material	Plating/Finish	Remark
1	Insulating body	PA66 (UL94 V-0)	Green-Yellow
2	Terminal	Copper	Tin plated
3	Cage clamp	Steel	Zinc
4	Screw 1	Steel M3	Zinc
5	Screw 2	Steel M3	Zinc
6	Contact piece of 1	Brass	Tin plated
7	Contact piece of 2	Steel	Zinc
8	Nut	Steel	Zinc

定案

A

REV.

文件管制
NOV 25. 2014
文管中心

DECA SwitchLab Inc.

DESIGN	CHECK	APPROVE
DATE	DATE	DATE
2014/11/25	2014/11/25	2014/11/25

PART NAME	UNIT	SCALE
Terminal Block	MM	1:1
DRAWING NO.		SHEET
CPE4N-SZ		1/1