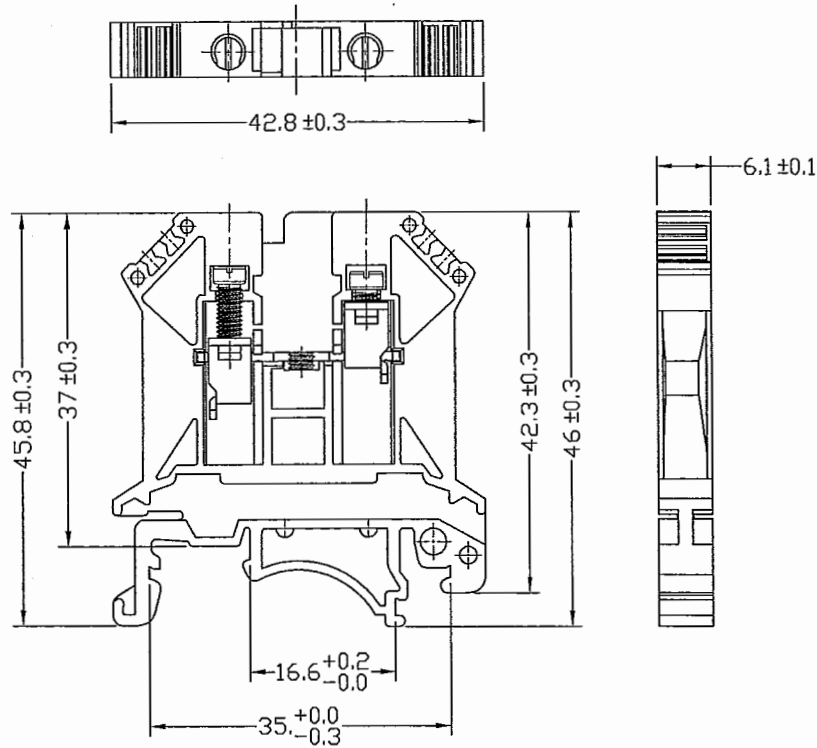


CDU4N-□

RoHS
Compliant



□ : Color(Insulating body)
4N : Standard
CDU : DIN Rail Type



Rated voltage	600V
Rated current	30A
Solid wire (AWG)	10~22
Stranded wire (AWG)	10~22
Insulating withstand voltage	6KV
Torque (Lb-in)	10
Screw	M3
Wire strip length	6mm
Mounting Rail	TS35x7.5/TS35x15/TS32

文件管制
99.2.03
文管中心

CONFIRMED & ACCEPTED BY

DECA
SwitchLab

Switchlab INC.

	Material	Plating/Finish	Remark
1	Insulating body PA66 (UL94 V-0)		Beige
2	Screw steel M3	Zinc	
3	Terminal Phosphor bronze	Tin plated	
4	Cage clamp Steel	Zinc	

PART NO.	CDU4N-x			VERSION	D	CONFIRMED BY	<i>Wiedompe</i>
SHEET OF	2/2	METRIC	MM	DRAWN BY	<i>許崗亭</i>	DATE	2010/02/03
						GENERAL MANAGER	<i>g. ellix</i>

單據編號 : QR-0703-08 版次 : A版