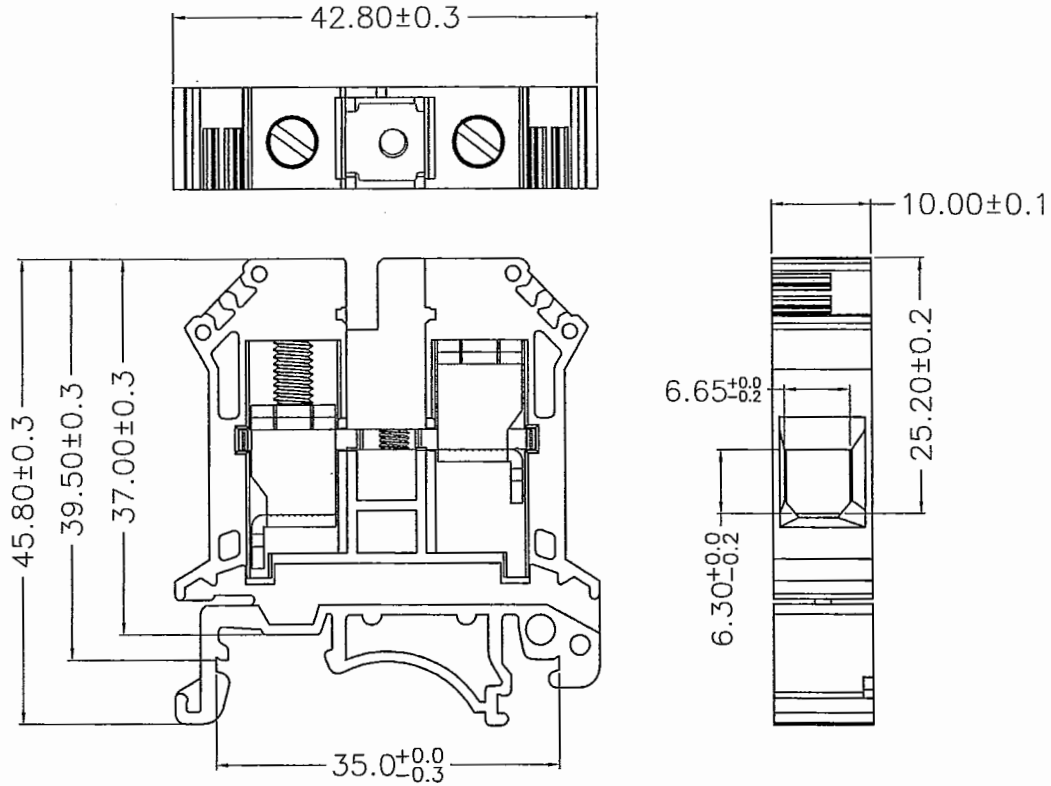


# CDU10N-□



□ : Color(Insulating body)  
 10N : Standard  
 CDU : DIN Rail Type



Rated voltage 600V  
 Rated current 65A  
 Solid wire (AWG) 6~24  
 Stranded wire (AWG) 6~24  
 Insulating withstand voltage 8KV  
 Torque (Lb-in) 19  
 Screw M4  
 Wire strip length 10~12mm  
 Mounting Rail TS35x7.5/TS35x15/TS32

文件管制  
 99.2.02  
 文管中心

CONFIRMED & ACCEPTED BY

	Material	Plating/Finish	Remark
1	Insulating body PA66 (UL94 V-0)		Beige
2	Screw steel M4	Zinc	
3	Terminal Copper	Tin plated	
4	Cage clamp Steel	Zinc	
5			

DECA  
 SwitchLab

Switchlab INC.

PART NO.	CDU10N-x	VERSION	C	CONFIRMED BY	<i>[Signature]</i>
SHEET OF	1/1	METRIC	MM	DRAWN BY	<i>[Signature]</i>
		DATE	2010/02/02	GENERAL MANAGER	<i>[Signature]</i>