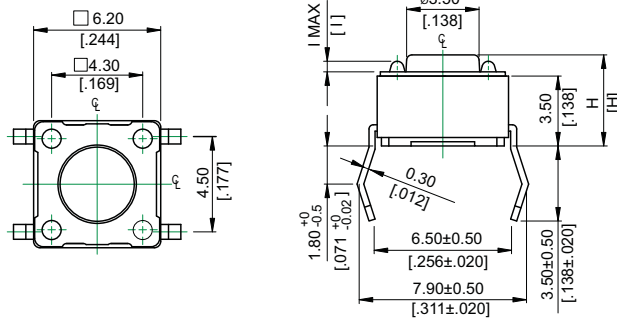
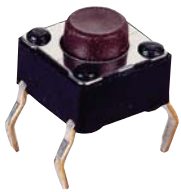


● SPECIFICATIONS

CONTACT: Mechanical contact
 CIRCUIT: SPST
 RATING: DC 12V 50mA
 TRAVEL: 0.3±0.15 mm
 OPERATING FORCE: 160±50gf
 260±50gf
 CONTACT RESISTANCE: 100mΩ max.
 LIFE: 100,000 cycles min.

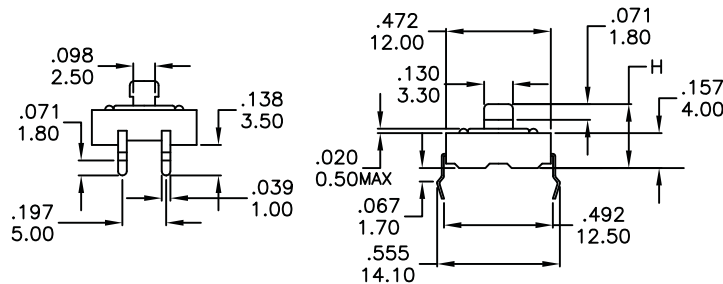
MODEL OPTIONS

DTS-62N



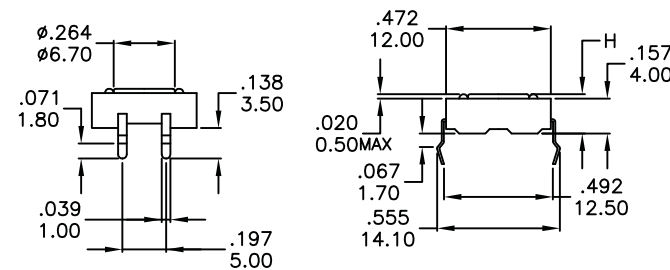
DTS-66	13.0 [512]	0.6 MAX [.0236 MAX]
DTS-65	9.5 [374]	
DTS-63	7.0 [275]	
DTS-62	5.0 [197]	0.5 MAX [.0197 MAX]
DTS-61	4.3 [169]	
PROD. NO.	H	I

DTS-24N



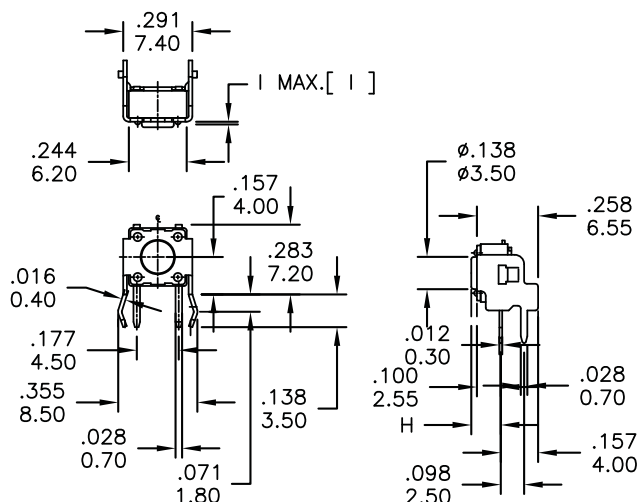
DTS-25	8.50 [335]
DTS-24	7.30 [287]
DTS-21	4.30 [169]
PROD. NO.	H

DTS-21K



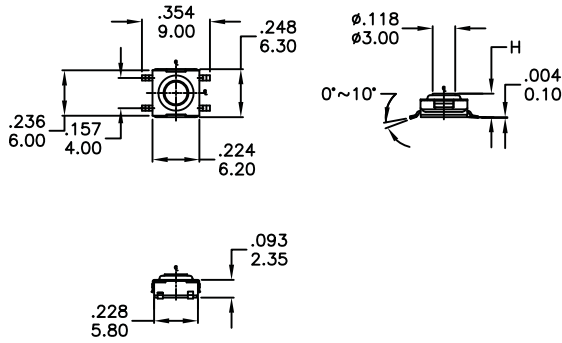
DTS-25	8.50 [335]
DTS-24	7.30 [287]
DTS-21	4.30 [169]
PROD. NO.	H

DTSA-61N



DTS-66	11.85 [467]	0.4 MAX [0.016 MAX]
DTS-65	8.35 [329]	
DTS-63	5.85 [230]	
DTS-62	3.85 [152]	0.3 MAX [0.012 MAX]
DTS-61	3.15 [124]	
PROD. NO.	H	I

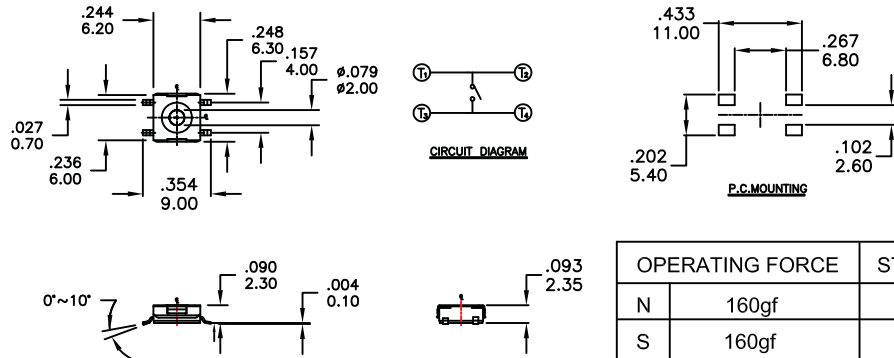
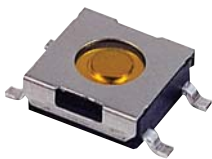
Tact Switches **DTS SERIES**



DTSMW-66

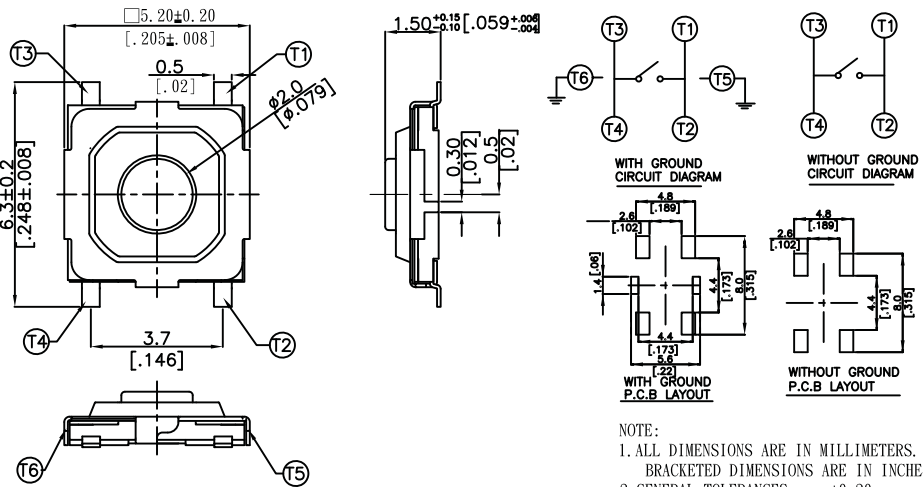
CONTACT: Stainless Steel.
 CIRCUIT DISC: Phosphor brnze with Silver cladding.
 RATING: Brass with silver cladding.
 BASE: UL94V-0 PPA Hing-Temp. Thermoplastic

DTSMW-69	3.80[1.50]
DTSMW-68	2.30[.091]
DTSMW-67	5.20[.205]
DTSMW-66	3.10[.120]
DTSMW-65	3.50[.138]
DTSMW-64	4.50[.177]
PROD. NO.	H



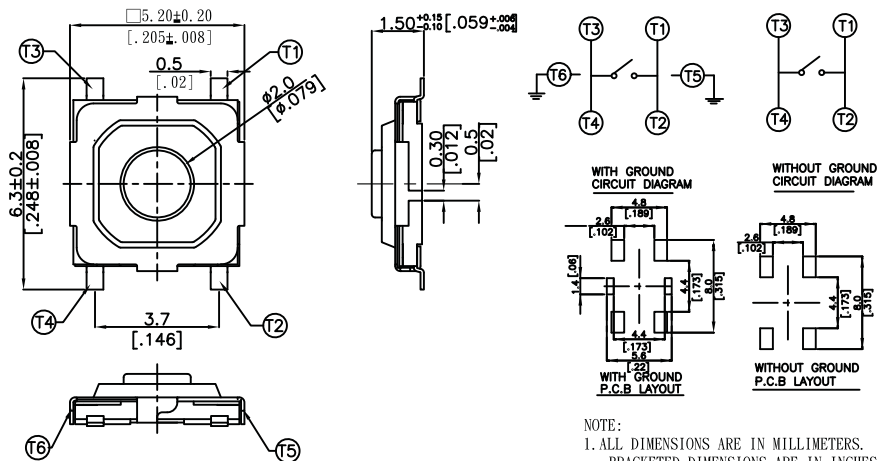
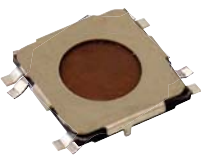
DTSMW-68

	OPERATING FORCE	STEM COLOR
N	160gf	Brown
S	160gf	Silver
R	260gf	Red



TMG-533-V

NOTE:
 1. ALL DIMENSIONS ARE IN MILLIMETERS.
 BRACKETED DIMENSIONS ARE IN INCHES.
 2. GENERAL TOLERANCES ± 0.20 mm.



TMG-523-V

NOTE:
 1. ALL DIMENSIONS ARE IN MILLIMETERS.
 BRACKETED DIMENSIONS ARE IN INCHES.
 2. GENERAL TOLERANCES ± 0.20 mm.