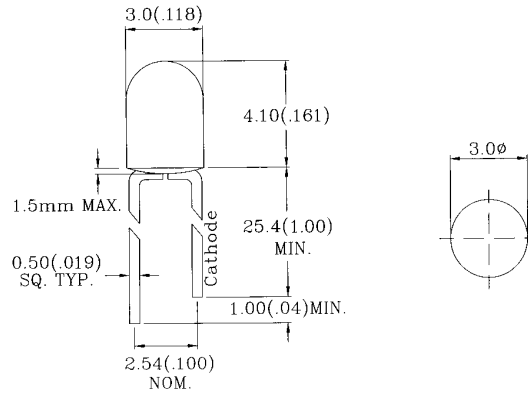
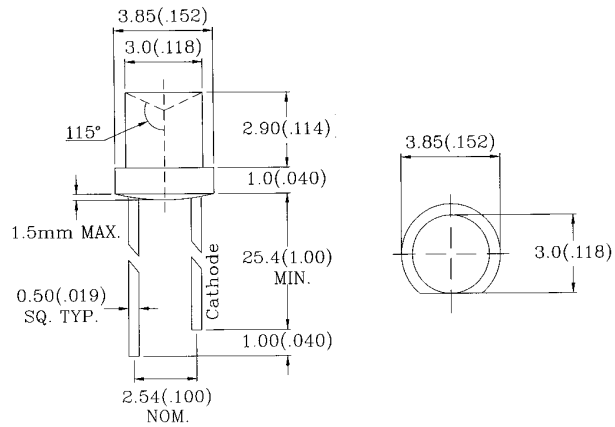
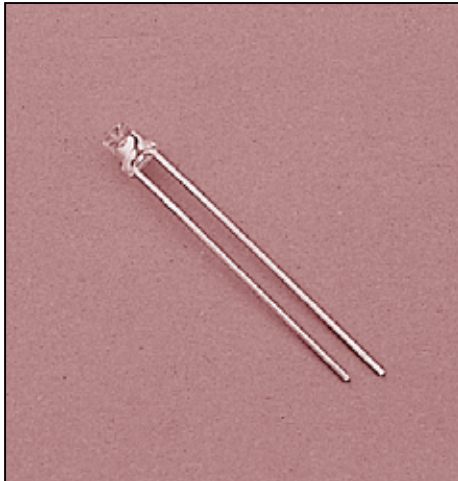


L-304XX 3.0 mm Dia FLANGLSS LED LAMP



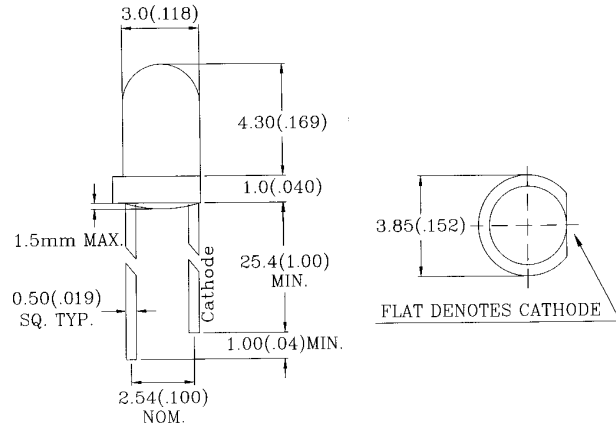
Part No.	Chip		Lens Color	Wave Length λ p(nm)	Electro-Optical Characteristics			View Angle (deg)
	Raw Material	Emitted Color			Vf(V)20mA		lv(mcd)20mA	
					Typ.	Max.	Typ.	
L-304HD	GaP	Red	Red Diffused	700	2.3	2.8	10.0	60
L-304GD	GaP	Green	Green Diffused	565	2.2	2.8	18.0	60
L-304YD	GaAsP/GaP	Yellow	Yellow Diffused	585	2.1	2.8	25.0	60
L-304ED	GaAsP/GaP	Hi. effi Red	Red Diffused	635	2.1	2.8	15.0	60
L-304SRD	GaAlAs	Super Red	Red Diffused	660	1.8	2.4	35.0	60

L-334XX 3.0 mm Dia CYLINDRICAL BACKLIGHTING LED LAMP



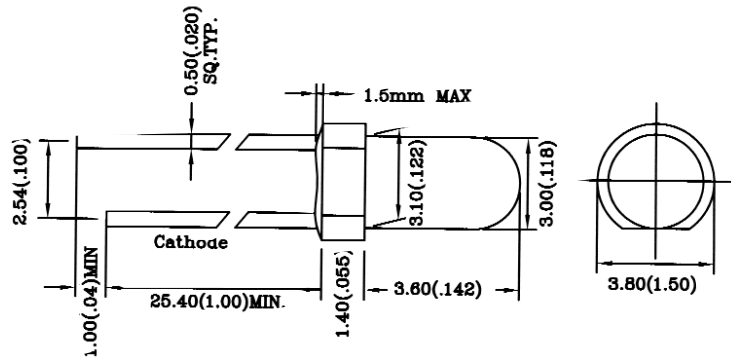
Part No.	Chip		Lens Color	Wave Length λ p(nm)	Electro-Optical Characteristics			View Angle (deg)
	Raw Material	Emitted Color			Vf(V)20mA		lv(mcd)20mA	
					Typ.	Max.	Typ.	
L-334HD	GaP	Red	Red Diffused	700	2.1	2.8	1.0	150
L-334GD	GaP	Green	Green Diffused	565	2.2	2.8	2.0	150
L-334YD	GaAsP/GaP	Yellow	Yellow Diffused	585	2.1	2.8	1.5	150
L-334ED	GaAsP/GaP	Hi. effi Red	Red Diffused	635	2.1	2.8	4.0	150
L-334SRD	GaAlAs	Super Red	Red Diffused	660	1.8	2.2	5.0	150

- 1.All dimension are in millimeters (inches).
- 2.Tolerance is ± 0.25 mm (0.01") unless otherwise specified.



Part No.	Chip		Lens Color	Wave Length λ p(nm)	Electro-Optical Characteristics			View Angle (deg)
	Raw Material	Emitted Color			Vf(V)20mA		Iv(mcd)20mA	
					Typ.	Max.	Typ.	
L-314HD	GaP	Red	Red Diffused	700	2.3	2.8	8.0	60
L-314GD	GaP	Green	Green Diffused	565	2.2	2.8	20.0	60
L-314YD	GaAsP/GaP	Yellow	Yellow Diffused	590	2.15	2.8	15.0	60
L-314ED	GaAsP/GaP	Hi.effi Red	Red Diffused	635	2.1	2.8	25.0	60
L-314SRD	GaAlAs	Super Red	Red Diffused	660	1.8	2.2	50.0	60
L-314LRD	GaAlAs	Super Red	Red Diffused	660	1.8	2.2	60.0	60
L-314HURD	GaAlInP	Hi.effi Red	Red Diffused	628	2.0	2.5	170	60
L-314GT	GaP	Green	G.Transparent	570	2.2	2.8	180	30
L-314YT	GaAsP/GaP	Yellow	Y.Transparent	590	2.15	2.8	150	30
L-314ET	GaAsP/GaP	Hi.effi Red	R.Transparent	635	2.1	2.8	250	30
L-314SRT	GaAlAs	Super Red	R.Transparent	660	1.8	2.2	450	30
L-314LRT	GaAlAs	Super Red	R.Transparent	660	1.8	2.2	700	30
L-314HURT	GaAlInP	Hi.effi Red	R.Transparent	628	2.0	2.5	1000	30
L-314GC	GaP	Green	Water Clear	570	2.2	2.8	180	30
L-314LGC	GaP	Green	Water Clear	570	2.1	2.8	280	30
L-314VG3C	GaAlInP	Green	Water Clear	570	2.2	2.8	380	30
L-314YC	GaAsP/GaP	Yellow	Water Clear	590	2.1	2.8	150	30
L-314EC	GaAsP/GaP	Hi.effi Red	Water Clear	635	2.1	2.8	250	30
L-314SRC	GaAlAs	Super Red	Water Clear	660	1.8	2.2	500	30
L-314LRC	GaAlAs	Super Red	Water Clear	660	1.8	2.2	700	30
L-314HURC	GaAlInP	Hi.effi Red	Water Clear	628	2.0	2.5	1000	30
L-314LEC	GaAlInP	Super Orange	Water Clear	620	2.1	2.6	1300	30

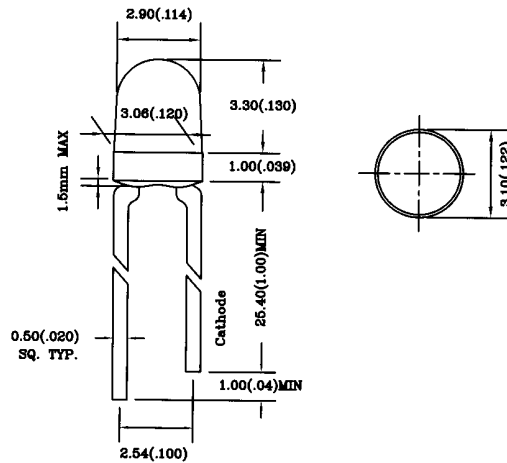
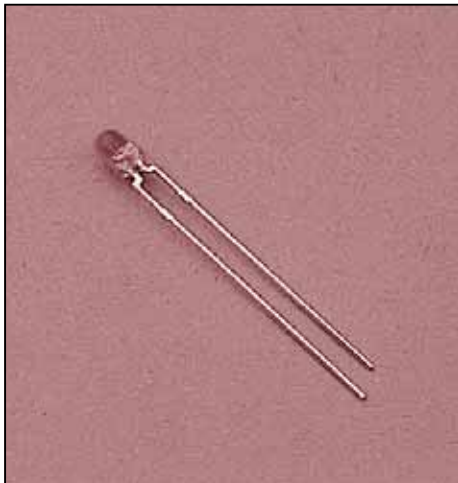
- 1.All dimension are in millimeters (inches).
- 2.Tolerance is ± 0.25 mm (0.01") unless otherwise specified.



Part No.	Chip		Lens Color	Wave Length λ p(nm)	Electro-Optical Characteristics			View Angle (deg)
	Raw Material	Emitted Color			Vf(V)20mA		lv(mcd)20mA	
					Typ.	Max.	Typ.	
L-3U4HD	GaP	Red	Red Diffused	700	2.3	2.8	6.0	75
L-3U4GD	GaP	Green	Green Diffused	565	2.2	2.8	12.5	75
L-3U4YD	GaAsP/GaP	Yellow	Yellow Diffused	585	2.1	2.8	12.5	75
L-3U4ED	GaAsP/GaP	Hi.effi Red	Red Diffused	635	2.1	2.8	20.0	75
L-3U4SRD	GaAlAs	Super Red	Red Diffused	660	1.8	2.2	50.0	75
L-3U4LRD	GaAlInP	Super Red	Red Diffused	660	1.8	2.4	80.0	75
L-3U4HURD	GaAlInP	Super Red	Red Diffused	660	2.0	2.5	120	75
L-3U4GT	GaP	Green	G.Transparent	570	2.2	2.8	20.0	30
L-3U4YT	GaAsP/GaP	Yellow	Y.Transparent	590	2.1	2.8	20.0	30
L-3U4ET	GaAsP/GaP	Hi.effi Red	R.Transparent	635	2.1	2.8	40.0	30
L-3U4SRT	GaAlAs	Super Red	R.Transparent	660	1.8	2.4	700	30
L-3U4LRT	GaAlAs	Super Red	R.Transparent	660	1.8	2.4	1000	30
L-3U4HURT	GaAlAs	Super Red	R.Transparent	660	2.0	2.5	1500	30
L-3U4GC	GaP	Green	Water Clear	570	2.2	2.8	30.0	30
L-3U4LGC	GaP	Green	Water Clear	570	2.1	2.8	300	30
L-3U4V3GC	GaAlInP	Green	Water Clear	570	2.1	2.8	500	30
L-3U4YC	GaAsP/GaP	Yellow	Water Clear	590	2.1	2.8	50.0	30
L-3U4EC	GaAsP/GaP	Hi.effi Red	Water Clear	635	2.1	2.8	50.0	30
L-3U4SRC	GaAlAs	Super Red	Water Clear	660	1.8	2.4	500	30
L-3U4LRC	GaAlAs	Super Red	Water Clear	660	1.8	2.4	1000	30
L-3U4HURC	GaAlInP	Super Red	Water Clear	660	2.0	2.5	1500	30
L-3U4LEC	GaAlInP	Orange	Water Clear	625	2.0	2.4	1500	30
L-3U4VEC	GaAlInP	Orange	Water Clear	625	2.0	2.6	2000	30
L-3U4UYC	GaAlInP	Yellow	Water Clear	592	2.2	2.6	1500	30
L-3U4VYC	GaAlInP	Yellow	Water Clear	592	2.0	2.4	2200	30

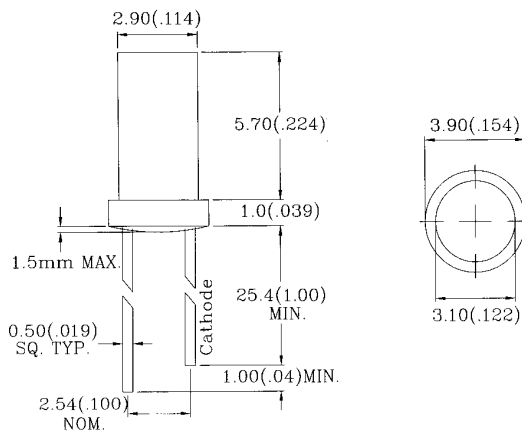
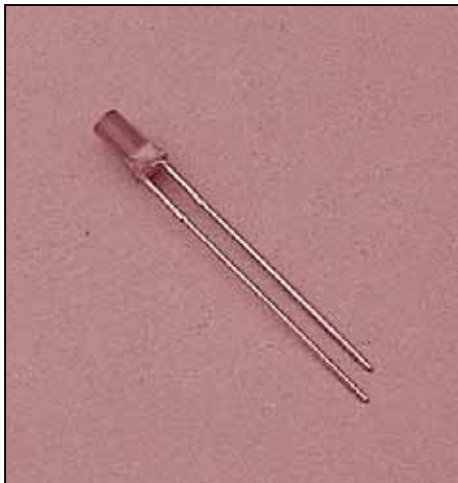
- 1.All dimension are in millimeters (inches).
- 2.Tolerance is ± 0.25 mm (0.01") unless otherwise specified.

L-3541XX 3.0 mm Dia LOW PROFILE LED LAMP



Part No.	Chip		Lens Color	Wave Length λ p(nm)	Electro-Optical Characteristics			View Angle (deg)
	Raw Material	Emitted Color			Vf(V)20mA		lv(mcd)20mA	
					Typ.	Max.	Typ.	
L-3541HD	GaP	Red	Red Diffused	700	2.3	2.8	8.0	60
L-3541GD	GaP	Green	Green Diffused	565	2.2	2.8	18.0	60
L-3541YD	GaAsP/GaP	Yellow	Yellow Diffused	585	2.1	2.8	15.0	60
L-3541ED	GaAsP/GaP	Hi. effi Red	Red Diffused	635	2.1	2.8	25.0	60
L-3541SRD	GaAlAs	Super Red	Red Diffused	660	1.8	2.2	40.0	60

L-3N4XX 3.0 mm Dia CYLINDRICAL LED LAMP



Part No.	Chip		Lens Color	Wave Length λ p(nm)	Electro-Optical Characteristics			View Angle (deg)
	Raw Material	Emitted Color			Vf(V)20mA		lv(mcd)20mA	
					Typ.	Max.	Typ.	
L-3N4HD	GaP	Red	Red Diffused	700	2.3	2.8	2.0	150
L-3N4GD	GaP	Green	Green Diffused	565	2.2	2.8	6.0	150
L-3N4YD	GaAsP/GaP	Yellow	Yellow Diffused	585	2.1	2.8	5.0	150
L-3N4ED	GaAsP/GaP	Hi. effi Red	Red Diffused	635	2.1	2.8	8.0	150
L-3N4SRD	GaAlAs	Super Red	Red Diffused	660	1.8	2.4	10.0	150

- 1.All dimension are in millimeters (inches).
- 2.Tolerance is ± 0.25 mm (0.01") unless otherwise specified.