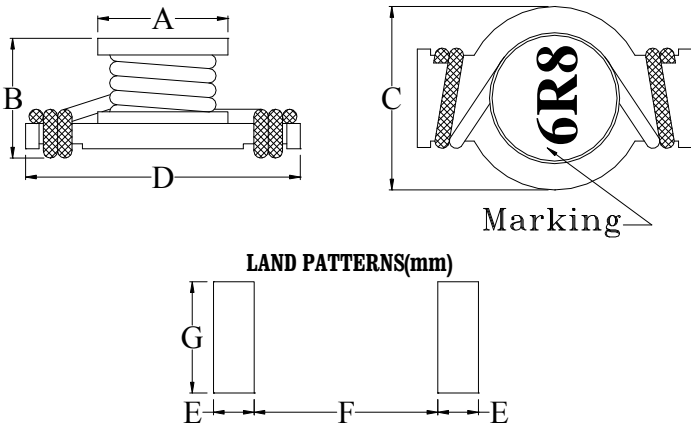


SPECIFICATION FOR APPROVAL

COMMODITY	SMD POWER COIL	SPEC NO.	SP-0100624001
ITEM	JSPH 1306-6R8M-7R0-A Green	版本：A	表單編號：TRR-002

(1) DIMENSION: (UNIT: mm)		DIM.	TOL.
	A	13.0	Max.
	B	8.0	Max.
	C	16.26	Max.
	D	22.35	Max.
	E	3.18	REF.
	F	14.35	REF.
	G	8.64	REF.
	H		
	I		
	J		





(2) ELECTRICAL CHARACTERISTIC	TEST INSTRUMENTS.
INDUCTANCE	6.8 ± 20% μH
TEST FREQUENCY	100 KHz
TEST VOLT	0.1 V
RDC	23 (max) Ω
Isat *1	12 (max) A
Irms *2	7 (max) A
	<input checked="" type="checkbox"/> AGILENT 4294A Precision Impedance Analyzer. <input type="checkbox"/> AGILENT 4285A Precision L.C.R. Meter. <input type="checkbox"/> HP-4286A RF L.C.R. Meter. <input checked="" type="checkbox"/> ZENTECH 3302 Automatic Components Analyzer. <input type="checkbox"/> ZENTECH 101 L.C.R. Meter. <input type="checkbox"/> WAYNE KERR 6420 Precision Impedance Analyzer. <input checked="" type="checkbox"/> ZENTECH 1320 BIAS CURRENT. <input checked="" type="checkbox"/> ZENTECH 502AC Resistance Meter. <input type="checkbox"/> ADEX AX-1155B DC Low Ohm Meter.

REMARK :

1. Inductance drop = 10% typ at Isat.
2. ΔT = 40°C rise typ at Irms.

PURCHASER CONFIRMED	APPROVED	CHECKED	DRAWN
			

SPECIFICATION FOR APPROVAL

COMMODITY	SMD POWER COIL	SPEC NO.	SP-0100624001
ITEM	JSPH 1306-6R8M-7R0-A Green	版本：B	表單編號：TRR-002
(3) Material List			
NO	ITEM	MATERIAL	SUPPLIER OF THE MATERIAL
1	Core	N2J DR 12.7*6-C (C=5.8)	SHINN DER ELECTRONICS CO., LTD.
2	BASE	SDB-2201	TECOSHIP ELECTRONICS CO.,LTD
3	Wire	2SFBW 155°C CLASS 0.7/10Ts	JUNG SHING WIRE CO.,LTD
4	EPOXY	S-9001A-6B	GUANGZHOU WELLS CHEMICAL CO.,LTD
5	Solder	Sn 99.3 % - Cu 0.7%	HIP SHING TIN INDUSTRY CO.,LTD
6	INK	TE-833(白色)	CHIME MIEN INK&CHEMICALS CO.,LTD
REMARK :			
PURCHASER CONFIRMED :		APPROVED	CHECKED
			
			



JANTEK ELECTRONICS CO.,LTD

TEL : 886-2-2689-4971 FAX : 886-2-2689-4260
 E-mail : jantek@jantek-elec.com.tw
 Web-Site : www.jantek-elec.com.tw