



INTERQUIP ELECTRONICS CO., LIMITED

Flat A, 9th Floor, On Shing Industrial Building, 2-16 Wo Liu Hang Road,

Fotan, New Territories, Hong Kong

Tel: (852) 2413 5515 Fax: (852) 2413 7053

Web site: <http://www.interquip.com> Email: igl@interquip.com

Crystal Resonator Specification and Approval Sheet

Customer: Apex Electronics Ltd.

Project Name: N/A

Applications: N/A

Contact Person: N/A

Customer Part Number: N/A

1. Scope:

1.1 This specification applies to quartz crystal unit with a frequency of 3.579545MHz, which will be used in crystal oscillator applications.

2. Construction:

2.1 Type of Holder: SMHF-49B (RoHS Compliant)

2.2 Enclosure Seal: Resistance weld

3. Characteristics:

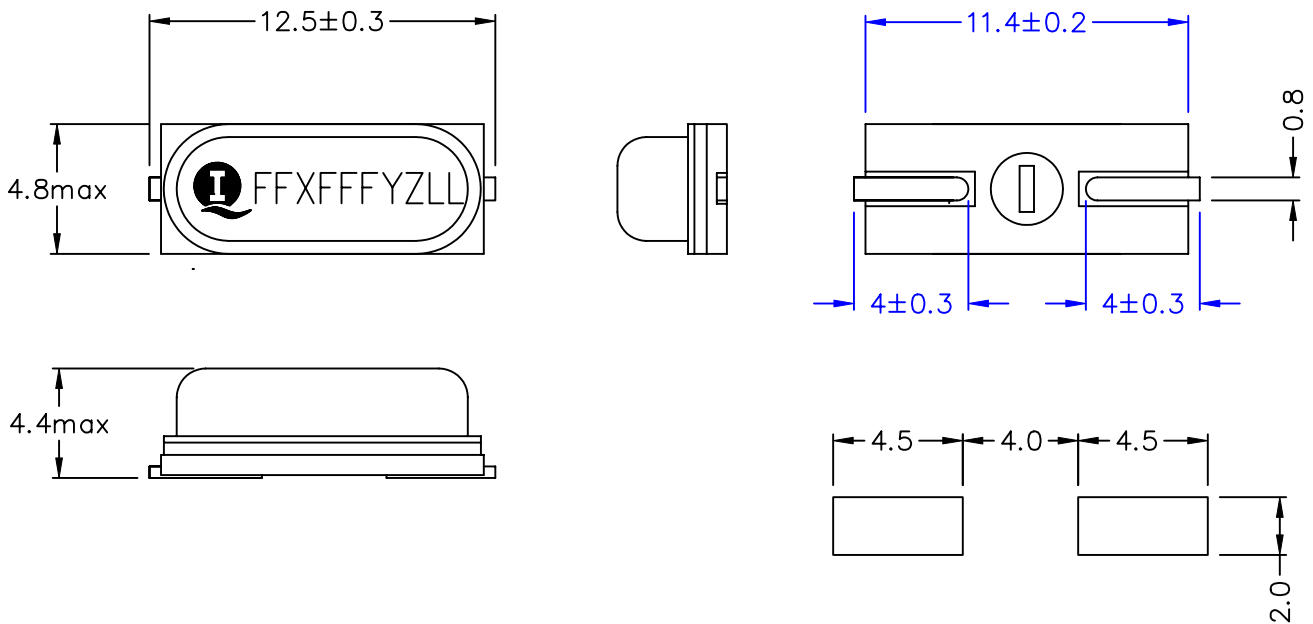
3.1	Nominal Frequency	(f)	3.579545MHz
3.2	Mode of Vibration		Fundamental
3.3	Load Capacitance	(C _L)	18pF
3.4	Frequency Tolerance at 25 °C±3 °C	(Δ f/f)	±30 ppm
3.5	Resonance Resistance	(Ω)	120 Ohm Max.
3.6	Shunt Capacitance	(C ₀)	7pF Max.
3.7	Drive Level	(D _L)	100uW
3.8	Frequency Deviation with Temperature	(Δ f/f)	±30 ppm
3.9	Operating Temperature Range	(T _{OPR})	-10°C to + 70°C
3.10	Storage Temperature Range	(T _{STG})	-55°C to 125 °C
3.11	Insulation Resistance	(SR)	500M Ω or More
3.12	Aging	(Δ f _A)	±5 ppm per Year Max.

4. Special Requirements:

No special requirement is needed

				TITLE CRYSTAL RESONATOR		DWG.	M Zhao	
						DATE	07-03-10	
				PART NO	7D03579183BIAFA2Q3	TOLERANCE	CHKD. J Mok	
				MODEL	SMHF-49B	X.±0.3 X.X±0.15	DATE	07-03-10
				REMARK		X.XX.±0.05 ANGULAR±	APPD.	XM Sun
						DATE	07-03-10	
DATE	MODIFY DESCRIPTION	BY	SALESMAN : Raymond Chan	SHEET		1/2	REV	0

EXTERNAL DIMENSIONS



RECOMMENDED SOLDERING PATTERN

MARKING SPECIFICATIONS

— COMPANY'S LOGO

FF FFF — REPRESENT FREQUENCY (MHz)

X — REPRESENT PRODUCTION LINE CODE

YZ — REPRESENT MONTH & YEAR CODE RESPECTIVELY

" Y " :

MONTH	Jan	Feb	Mar	Apr.	May	Jun	Jul	Aug	Sep	Oct	Nov	Dec
MARK	A	B	C	D	E	F	G	H	J	K	L	M

" Z " CODE IS THE LAST NUMBER OF PRODUCTION YEAR

FOR INSTANCE:

YEAR	2000	2001	2002	2003	2004
MARK	0	1	2	3	4

LL — REPRESENT LOT CODE (AA-ZZ)

3. LEADS MUST BE EXTENDED TO THE OUTSIDE OF PLASTIC PLATE

2. DO NOT SCALE DRAWING

NOTES: 1. ALL DIMENSIONS ARE IN MM



Interquip Electronics Co., Ltd

				TITLE SMD RESONATOR				DWN.	M Zhao
								DATE	2004.2.10
				PART NO.		TOLERANCE		CHKD	Johnson Mok
				MODEL SMHF-49B		X.±0.3 X.X±0.15		DATE	2004.2.10
				REMARK		X.XX±0.05 ANGULAR±		APPD.	XM.Sun
								DATE	2004.2.10
DATE	MODIFY DESCRIPTION	BY		DWG.NO. 004-06124-000				REV	.5