



INTERQUIP ELECTRONICS CO., LIMITED

Flat A, 9th Floor, On Shing Industrial Building, 2-16 Wo Liu Hang Road,

Fotan, New Territories, Hong Kong

Tel: (852) 2413 5515 Fax: (852) 2413 7053

Web site: <http://www.interquip.com> Email: iql@interquip.com

Crystal Resonator Specification and Approval Sheet

Customer: Apex Electronics

Project Name: N/A

Applications: N/A

Contact Person: Mike Robinson

Customer Part Number: N/A

1. Scope:

1.1 This specification applies to quartz crystal unit with a frequency of 30.000000MHz, which will be used in crystal oscillator applications.

2. Construction:

2.1 Type of Holder: SMCE-2016 (RoHS Compliant)

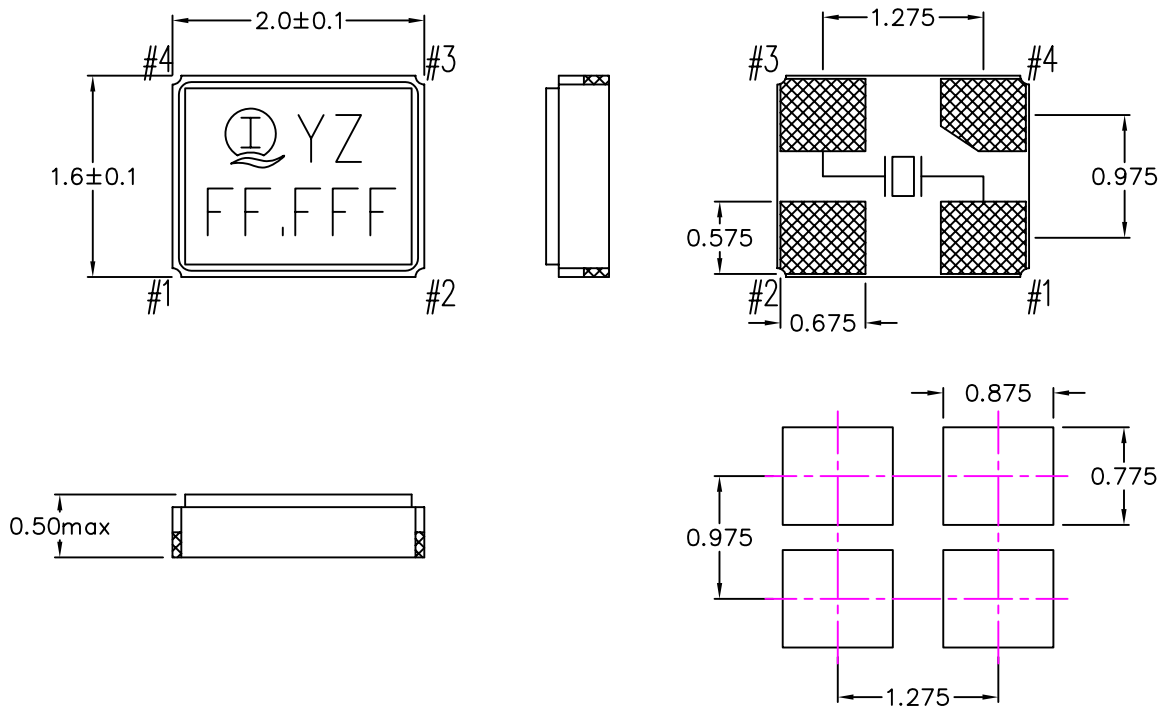
2.2 Enclosure Seal: Seam Welded Seal

3. Characteristics:

3.1	Nominal Frequency	(f)	30.000000MHz
3.2	Mode of Vibration		Fundamental
3.3	Load Capacitance	(C _L)	10pF
3.4	Frequency Tolerance at 25 °C±3 °C	(Δ f/f)	±15ppm
3.5	Resonance Resistance	(Ω)	80 Ohm Max.
3.6	Shunt Capacitance	(C ₀)	7pF Max.
3.7	Drive Level	(D _L)	0.1mW
3.8	Frequency Deviation with Temperature	(Δ f/f)	±15ppm
3.9	Operating Temperature Range	(T _{OPR})	-20°C to 70°C
3.10	Storage Temperature Range	(T _{STG})	-55°C to 125°C
3.11	Insulation Resistance	(SR)	500M Ω or More
3.12	Aging	(Δ f _A)	±5 ppm per years

				TITLE CRYSTAL RESONATOR		DWG.	M. Zhao	
						DATE	09-05-14	
				PART NO	5NAA3000010BKF80QB	TOLERANCE	CHKD.	J Mok
				MODEL	SMCE-2016	X± X.X±	DATE	09-05-14
				REMARK		X.XX± ANGULAR±	APPD.	XM Sun
							DATE	09-05-14
DATE	MODIFY DESCRIPTION	BY	SALESMAN : Gary Chan			SHEET 1/2	REV	0

EXTERNAL DIMENSIONS



MARKING SPECIFICATIONS



— COMPANY'S LOGO

FF FFF — REPRESENT FREQUENCY (MHz)

YZ — REPRESENT MONTH & YEAR CODE RESPECTIVELY

” Y ” :

MONTH	Jan	Feb	Mar	Apr.	May	Jun	Jul	Aug	Sep	Oct	Nov	Dec
MARK	A	B	C	D	E	F	G	H	J	K	L	M

” Z ” CODE IS THE LAST NUMBER OF PRODUCTION YEAR

FOR INSTANCE:

YEAR	2009	2010	2011	2012	2013
MARK	9	0	1	2	3

RECOMMENDED SOLDERING PATTERN

2. DO NOT SCALE DRAWING
 NOTES: 1. ALL DIMENSIONS ARE IN MM



Interquip Electronics Co., Ltd

				TITLE		SMD RESONATOR		DWN.	M_Zhao
				PART NO.		TOLERANCE		DATE	2009.5.9
				MODEL SMCE-2016		X.±0.3 X.X±0.15 X.XX±0.05 ANGULAR±		CHKD	Johnson Mok
				REMARK				DATE	2009.5.9
								APPD.	Xm_Sun
								DATE	2009.5.9
DATE	MODIFY DESCRIPTION	BY				DWG.NO. 004-061Q7-000		REV. 0	