

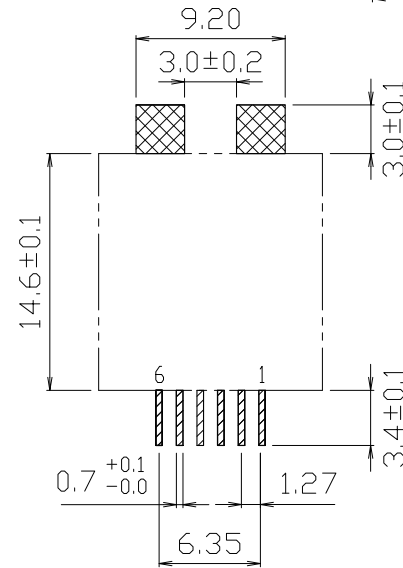
MATERIALS:

- HOUSING-PA9T GN2330
HEAT RESISTANT PLOYAMIDE RESIN
BLACK COLOR, UL94V-0
- INSERT HOUSING-DSM STANYL TE250F6 (NYLON-46)
HEAT DEFLECTION TEMP.290°
BLACK COLOR, UL94V-0.
- CONTACTS-0.35mm THICK PHOS-BRONZE
PLATED WITH HARD GOLD AND
GOLD FLASH IN SOLDER AREA.
- HOLD DOWN-0.35mm THICK COPPER ALLOY,
PLATED WITH TIN.

CAVITY CONFIRMS TO FCC RULES AND REGULATIONS
PART 68,SUBPART F.

NOTE:

1. A AND B HIGHEST POINT
MUST OVER C FLAT SURFACE.
2. THE MAXIMUM DISTANCE (0.15m/m)
BETWEEN LOWEST AND HIGHEST
ON A AND B FLAT SURFACE.



PCB LAYOUT
Ref.

MORETHANALL
PCB CONNECTORS
Cable ASSEMBLIES

煜倫股份有限公司

www.morethanall.com

RoHS Compliant

DRAWING BY CY

CHECKED BY GENIUS

UNIT/mm SCALE 1:1

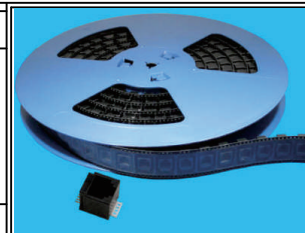
DATE

SIZE A4

TOLERANCES ARE

X. ±
.X ± 0.25
.XX ± 0.13
.XXX ± 0.05
ANG ±

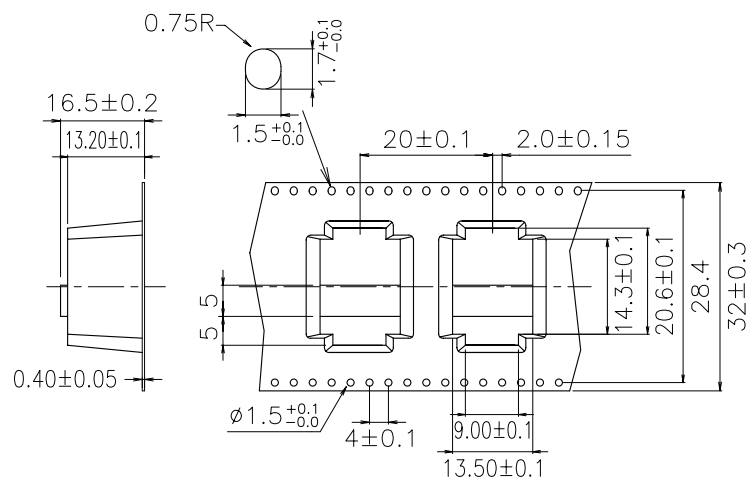
PJECTION



ORDER INFORMATION

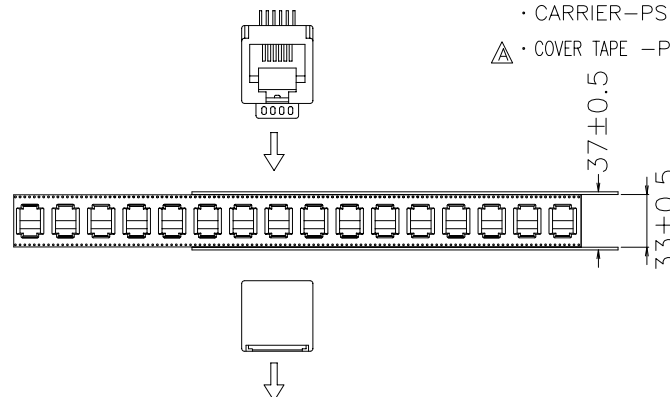


DESCRIPTION: 6POSITION TOP ENTRY SMT TYPE
W/O BOARD LOCK PCB JACK

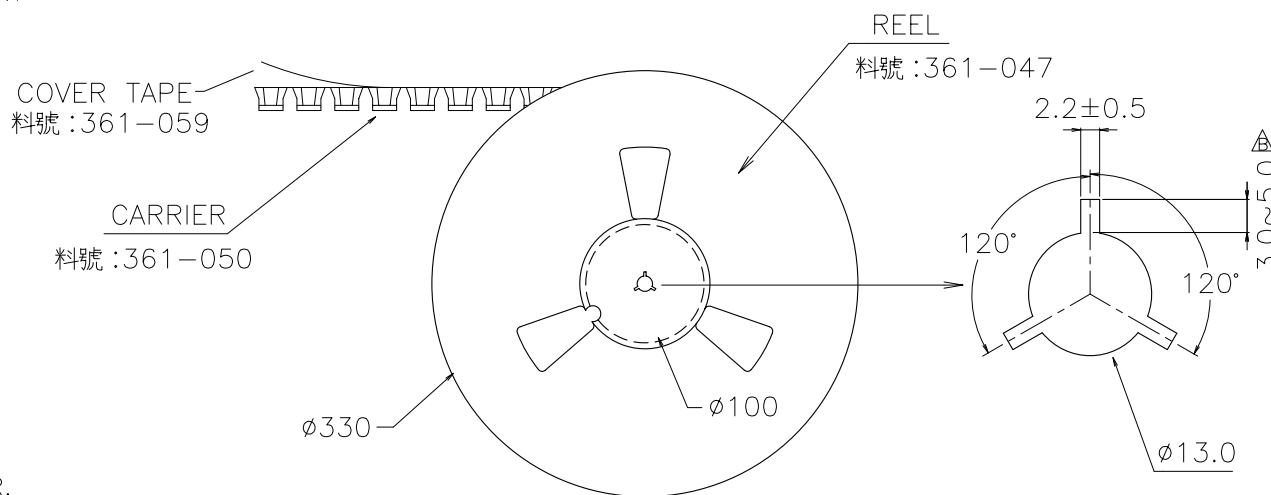


MATERIALS:

- REEL-2mm THICK PLASTIC WHEEL
- CARRIER-PS (0.40mm THICK TAPE).
- △ COVER TAPE -PE (MIN0.045~0.12mm THICK TAPE).



外箱料號 361-052(X1) NO MARK
 外箱料號 361-173(X1)
 支撐架料號 361-058(X4)
 軸外保護帶料號 361-318



NOTES:

- THE DIRECTION OF JACKS PUT INTO CARRIER.
- 10 EMPTY CAVITIES FOR BOTH OF TOP AND BOTTOM OF THE CARRIER.
- 180 PCS PRODUCTS BE PACKAGED ONE REEL.
- CARTON SIZE: 345(L)X345(W)X315(H)
 8 REEL/CARTON
 TOTAL: 1440 PCS

RoHS Compliant



煜倫股份有限公司

www.morethanall.com

DRAWING BY CY

CHECKED BY GENIUS

UNIT/mm SCALE 1:1

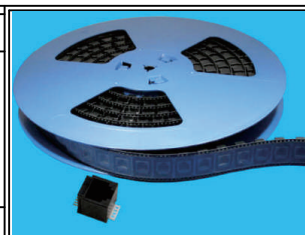
DATE

SIZE A4

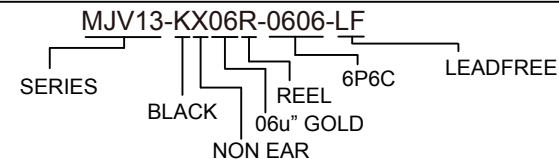
TOLERANCES ARE

X. ±
 .X ± 0.25
 .XX ± 0.13
 .XXX ± 0.05
 ANG ±

PJECTION



ORDER INFORMATION



DESCRIPTION: 6POSITION TOP ENTRY SMT TYPE
 W/O BOARD LOCK PCB JACK