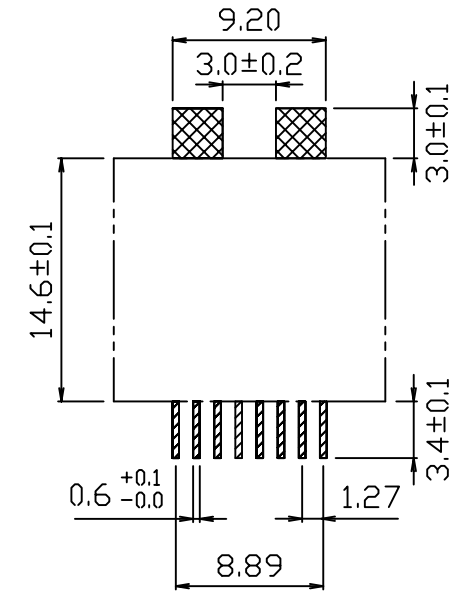


**MATERIALS:**

- HOUSING-DSM STANYL TE250F6 (NYLON-46)  
HEAT DEFLECTION TEMP.290°  
BLACK COLOR, UL 94V-0  
OR-NYLON ZYTEL FR-52  
HEAT DEFLECTION TEMP.278°  
BLACK COLOR, UL 94V-0
  - TERMINAL-0.35mm THICK PHOS-BRONZE  
PLATED WITH HARD GOLD AND  
TIN/LEAD IN SOLDER AREA.
  - HOLD DOWN-0.35mm THICK COPPER ALLOY,  
PLATED WITH TIN-LEAD.
- CAVITY CONFIRMS TO FCC RULES AND REGULATIONS  
PART 68,SUBPART F.



PCB LAYOUT

**NOTE:**

1. A AND B HIGHEST POINT  
MUST OVER C FLAT SURFACE.
2. THE MAXIMUM DISTANCE (0.15m/m)  
BETWEEN LOWEST AND HIGHEST  
ON A AND B FLAT SURFACE.

**REVISIONS**

LTR	DESCRIPTION	DATE	APP
△A	12.80±0.1	05/20/'00	
△B	12.80	05/20/'00	

**RoHS Compliant**

TOLERANCES ARE

**MORETHANALL**  
PCB CONNECTORS  
Cable ASSEMBLIES

煜倫股份有限公司

www.morethanall.com

DRAWING BY CY

CHECKED BY GENIUS

UNIT / mm SCALE 1 : 1

DATE

SIZE A4 PPROJECTION

X, ±  
.X ±  
.XX ±  
.XXX ±  
ANG ±

照片框

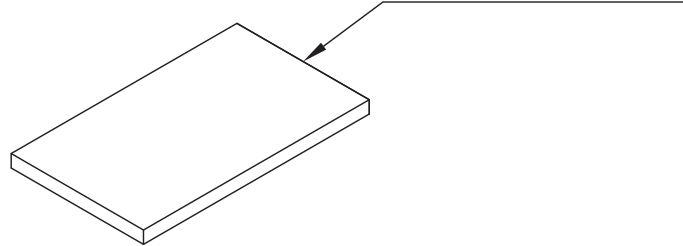
**ORDER INFORMATION**

MJV13-KX06R-0808-LF

SERIES REEL LEADFREE  
8P8C  
06u" GOLD  
NON EAR  
BLACK

DESCRIPTION: 8POSITION TOP ENTRY SMT TYPE W/O BOARD LOCK PCB JACK

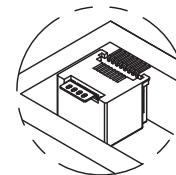
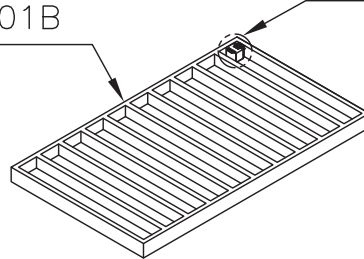
TOP COVER  
P/N: 369-001C



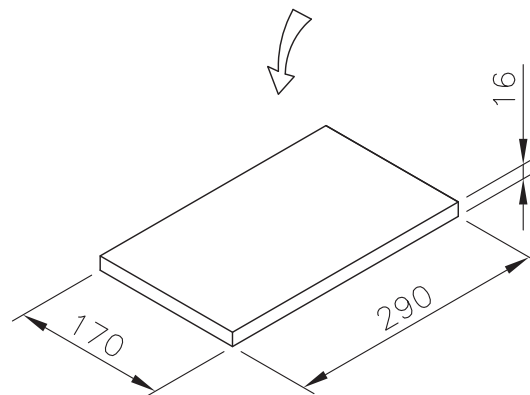
TRAY  
P/N: 369-001B



SEE DETAIL P



DETAIL P



RoHS Compliant

TOLERANCES ARE

**MORETHANALL**  
PCB CONNECTORS  
Cable ASSEMBLIES

煜倫股份有限公司

www.morethanall.com

DRAWING BY **CY**

CHECKED BY **GENIUS**

UNIT / mm SCALE 1 : 1

DATE

SIZE **A4**

X, ±  
.X ± 0.25  
.XX ± 0.13  
.XXX ± 0.05  
ANG ±

PJECTION

照片框

ORDER INFORMATION

MJV13-KX06-0808-LF

SERIES | | | LEADFREE  
| | | 8P8C  
| | | 06u" GOLD  
| | | NON EAR  
| | | BLACK

DESCRIPTION: IPOSITION, SMT TYPE, TOP ENTRY PCB JACK