



PCB Mount Jack Series

PCB Mount Jack Side Entry



RoHS Compliant



P/N:7002-4P4C-01



P/N:7002-6P6C-01



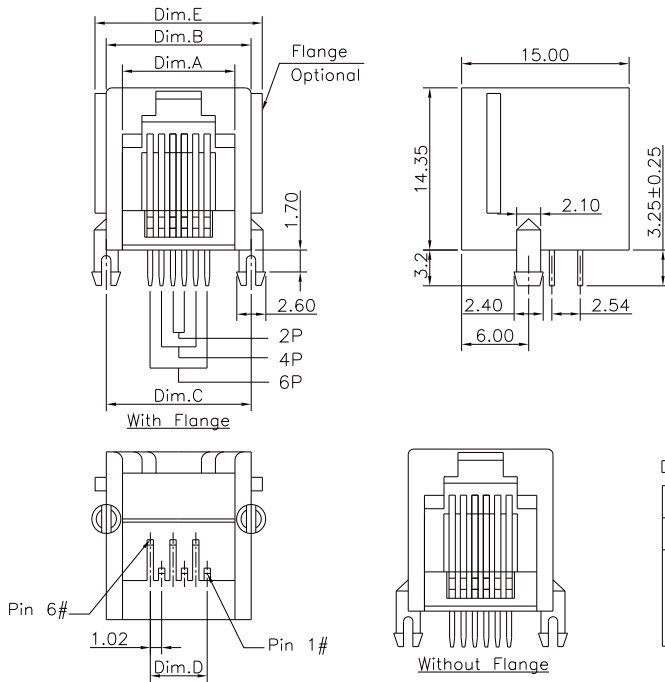
P/N:7002-6P6C

Specification

1. Current Rating: 1.5A AC/DC
2. Voltage Rating: 125V AC/DC.
3. Contact Resistance: 20m ohm.Min.
4. Insulation Resistance: 500M ohm.Min.
5. Withstanding Voltage: 1000V AC for one minute.
6. Operating Temperature Range: -40°C to +85°C

Material and Finish

1. Insulator: PBT/NY46(UL94V-0)
2. Insulator Color: Black
3. Contact: Copper Alloy
4. Plating: Gold Plated



Dimension Information:

Pos	Contacts	Dim.A	Dim.B	Dim.C	Dim.D	Dim.E
4P	4C	7.97	12.23	11.96	3.06	14.11
6P	2C	10.00	12.20	12.00	1.02	14.20
	4C				3.06	
	6C				5.10	

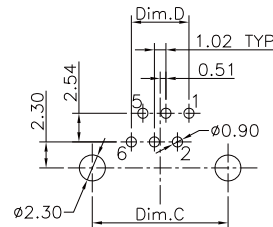
Ordering Information

7002-XP XC-XX-XX

1 2 3 4

1 No. of Positions	3 Blank:With Flange 01:Without Flange
2 No. of Contacts	4 Blank:Insulator PBT F3:Nylon 46

Recommended PCB Layout



Recommended P.C.B Thickness: 1.6mm
Tolerance: ±0.05 (Top View)

Unit:mm

ALL RIGHTS RESERVED
2017-2026