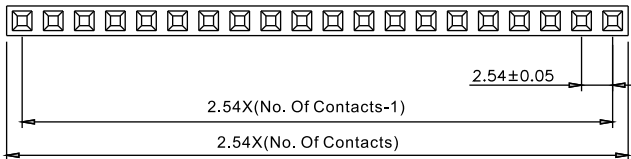


■ **Specifications**

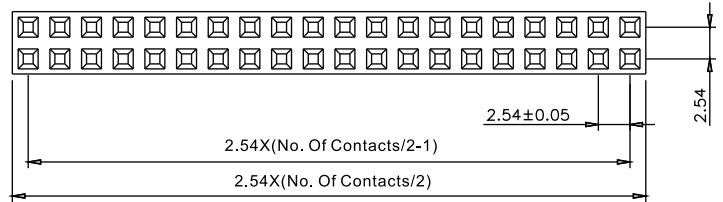
Current rating:3.0AAC/DC
Voltage rating:250V AC/DC
Contact resistance:20m ohm. max.
Insulation resistance:1000M ohm. Min.
Withstanding voltage:600V AC for one minute
Operating temperature range:-40°C to +105°C

■ **Material and Finish**

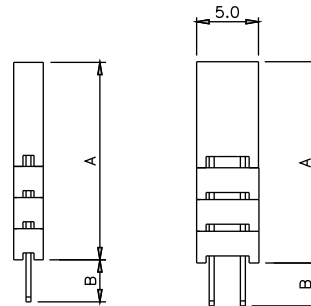
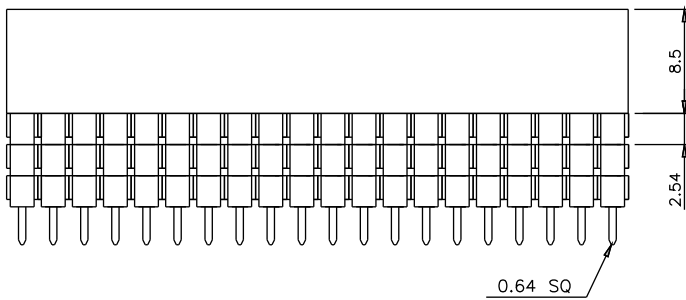
Insulator:High Temp. Plastic(UL94V-0)
Contact:Copper Alloy
Plating:Gold Plated



P/N:2212111-XXG-XX



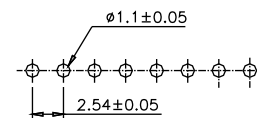
P/N:2214113-XXG-XX



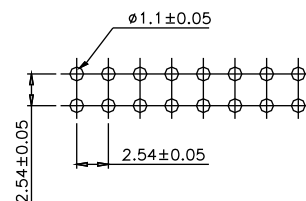
■ **Engineering Dimension**

	A	B		A	B		A	B
1A	11.05	2.30	1B	11.05	7.35	1C	11.05	12.2
			2B	13.59	4.85	2C	13.59	9.65
			3B	16.13	2.30	3C	16.13	7.10
						4C	18.67	4.60

■ **Recommended PCB Layout**



P/N:2212111-XXG-XX



P/N:2214113-XXG-XX

■ **Ordering Information**

2212111-XXG-XX

① ② ③ ④

① 2212111:Single Row 2214113:Double Rows	② No. Of Contacts ③ G:Gold Plated	④ Options 1A=Standard
---------------------------------------------	--------------------------------------	--------------------------

Unit:mm