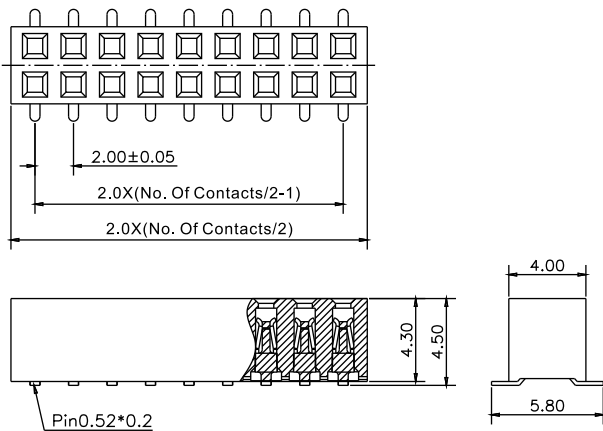


■ **Specifications**

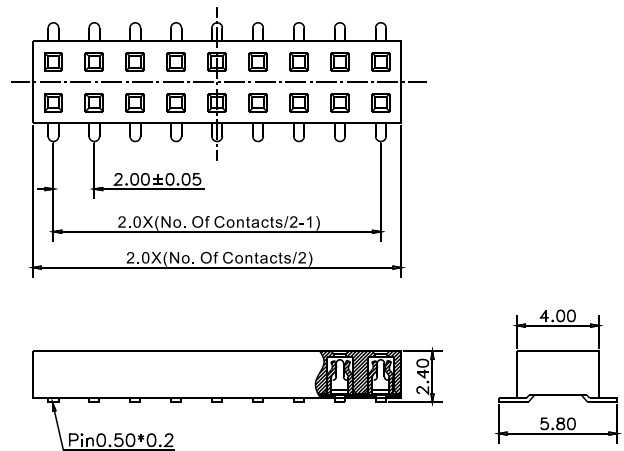
Current rating:2.0AAC/DC
Voltage rating:125V AC/DC
Contact resistance:20m ohm. max.
Insulation resistance:1000M ohm. Min.
Withstanding voltage:500V AC for one minute
Operating temperature range:-40°C to +105°C

■ **Material and Finish**

Insulator:High Temp. Plastic(UL94V-0)
Contact:Phosphor Bronze
Plating:Gold Plated



P/N:2207SM-XXG-45



P/N:2207SM-XXG-24

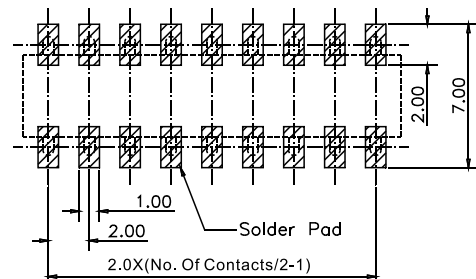
■ **Ordering Information**

2207SM-XXG-XX

① ② ③ ④

① SM:SMD Type	② No. Of Contacts ③ G:Gold Plated	④ Total Height 45:4.5mm 24:2.4mm
---------------	--------------------------------------	--

■ **Recommended PCB Layout**



Unit:mm