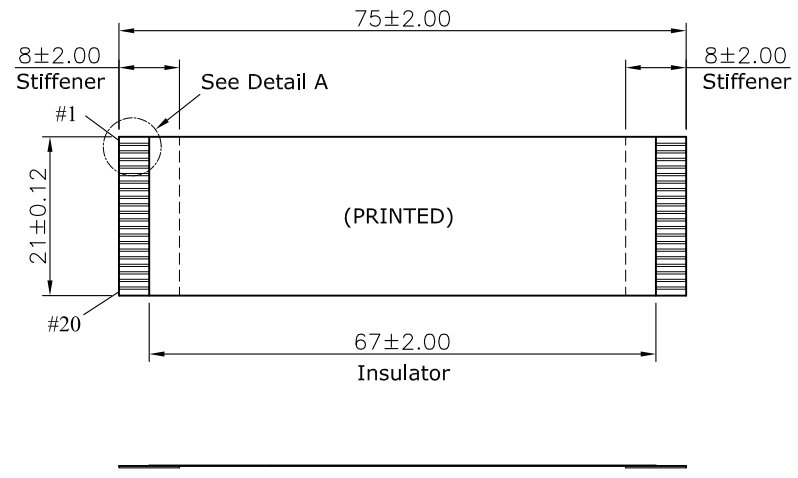
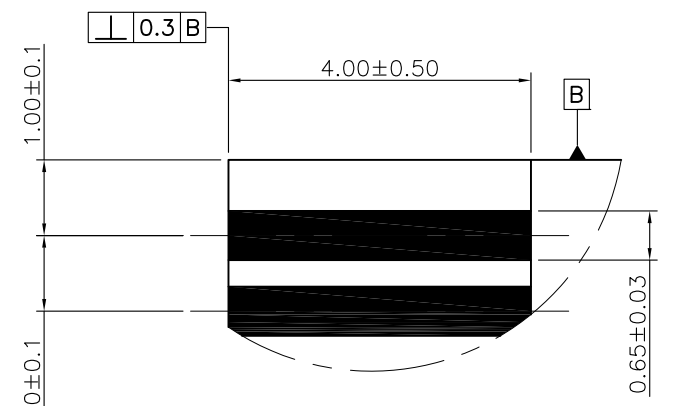


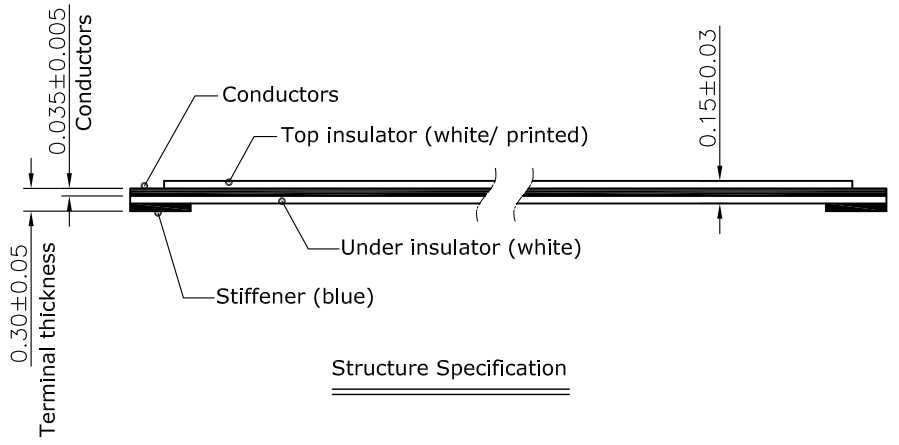
REV.	DESCRIPTION	DRAWN	DATE
1	INITIAL RELEASE	TIM	2020/03/03



FFC Cable Specification:
BAOYU E349103 AWM 20624 80C 60V VW-1




DETAIL A
SCALE 10:1



Structure Specification

4	1PC	Stiffener, Thicknees 0.225mm, Blue
3	1PC	Under Insulation, Thicknees 0.06mm, White
2	1PC	Top Insulation, Thicknees 0.06mm, White, Printed
1	1PC	Conductor, 0.035*0.65, Tin plating
NO.	Q'ty	DESCRIPTION

UNLESS OTHERWISE SPECIFIED TOLERANCE				
UNIT:	LENGTH	LINEAR	 www.attend.com.tw	
	mm	1~10		±1
	11~30	±2		
		31~50	±3	
DRAWN	Tim	2020/03/03	DRAWN NAME:	
CHECKED	Novia	2020/03/03	FFC Cable, 1.0mm Pitch, 20pin L=75mm	
APPROVED	Kate	2020/03/03	CUSTOMER NO.	
SCALE	SHEET	SIZE	PRODUCT NO.	
1/1	1/1	A4	FFC-1020-1945013	